



BETTER XINYA, BETTER LIFE.

XINYA ICE MACHINE **ICE. PURE AND SIMPLE**



Guangdong XINYA Hotel Equipment Co.,Ltd.

Factory Address: No.148 ,Banfu North Road, Banfu, Zhongshan ,
Guangdong, China.
Email: info@xinyachina.com.cn

ICE SHAPES



Cube

- Larger heat exchange area speeds up the cooling rate of beverages
- Can do different specifications of ice cubes, perfect for mixed drinks, carbonated beverages, ice displays and ice retailing in all types of operations. Popular for restaurant, convenience store, hotel or other establishment.



Bullet

- Much more crystal clear Complete shape, high cooling efficiency Heavier bullet ice weight & slower melting High hardness, slower melting.
- Not easy to melt for better taste drinking. More popular for home, restaurants, bar, hotels, etc.



Nugget / Granular

- The ice are presented in the most natural shape, and the temperature is basically below zero degrees Celsius.
- Easy to chew, fun to crunch, absorb flavors of beverages, cools beverages quickly. Perfect for soft or blended drinks, smoothies, food displays and everyday uses.



Flake

- Because the water content is less than 2%, this type of ice is the driest and has the lowest freezing point.
- It is composed of irregular ice cubes, the thickness can be adjusted between 1 to 2 mm. It is very suitable for industrial processing, fish and seafood display and transportation of perishable goods, as well as optimization of dough temperature.



Crescent

- Crescent ice better control the dosage, balance the ratio of beverage and ice.
- Recommended hardness, not easy to melt, good for cold drinks.



Chewblet

- The soft, chewable ice form is a favorite for fountain beverages, smoothies, blended cocktails, salad bars, therapeutic use, and many other applications.



40+ Patents



CONTENTS



Cube Ice Machine

02-07



Ice Dispenser

08-09

Bullet Ice Machine

10-11



Granular Ice Machine

12-13



Flake Ice Machine

14-15



Crescent Ice Machine

16-17



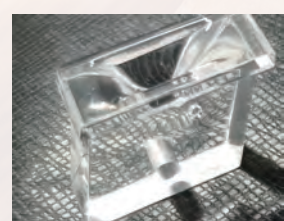
Chewblet Ice Machine

18-19

**Products Advantage
After-sales Service Promise**

20-21

CUBE



Half
22×13×22mm / 28×13×22mm
5g / 6g



Standard
22×22×22mm
9g



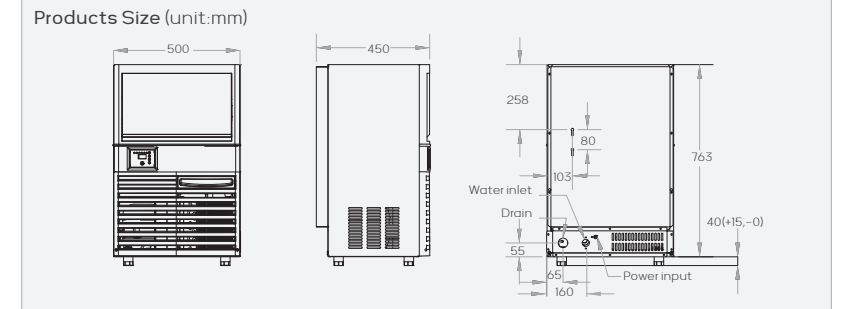
Bigger
28×28×22mm
15g

CUBE ICE MACHINE

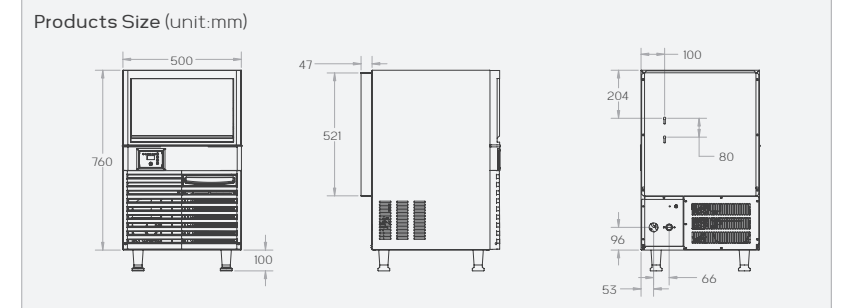
Vertical Type - Classic



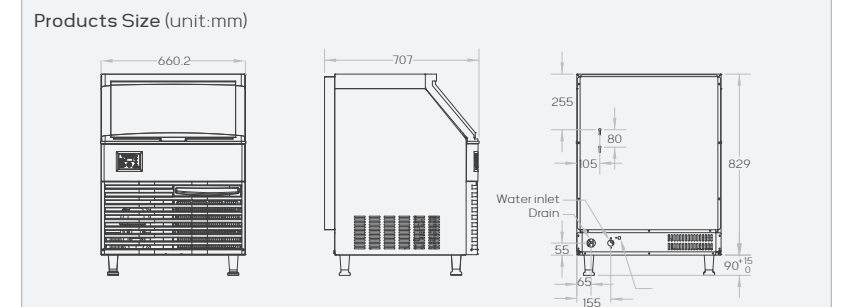
MODEL	XY-80P	XY-120P
Ice Production	36kg / 24h	55kg / 24h
Ice Storage	15 kg	18 kg
Power	310 w	460 w
Gross Weight	40 kg	50 kg
Dimension	500 × 450 × 803 mm	500 × 590 × 853 mm



MODEL	XY-80PT	XY-120PT
Ice Production	36kg / 24h	55kg / 24h
Ice Storage	15 kg	18 kg
Power	310 w	460 w
Gross Weight	40 kg	50 kg
Dimension	500 × 450 × 840 mm	500 × 590 × 890 mm



MODEL	XY-160P	XY-210P	XY-280P
Ice Production	73kg / 24h	95kg / 24h	127kg / 24h
Ice Storage	36 kg	36 kg	36 kg
Power	480 w	625 w	730 w
Gross Weight	65 kg	66 kg	67 kg
Dimension	660.2 × 707 × 919 mm	660.2 × 707 × 919 mm	660.2 × 707 × 919 mm

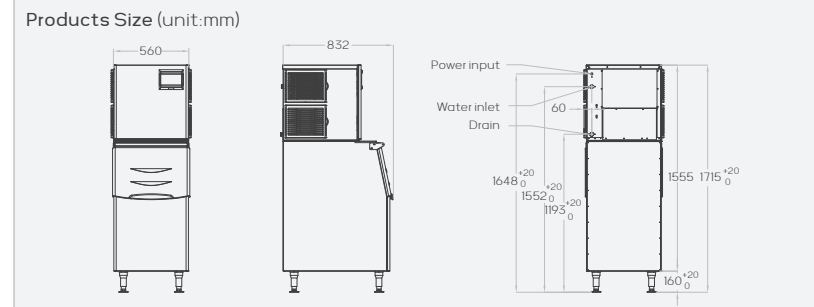


CUBE ICE MACHINE

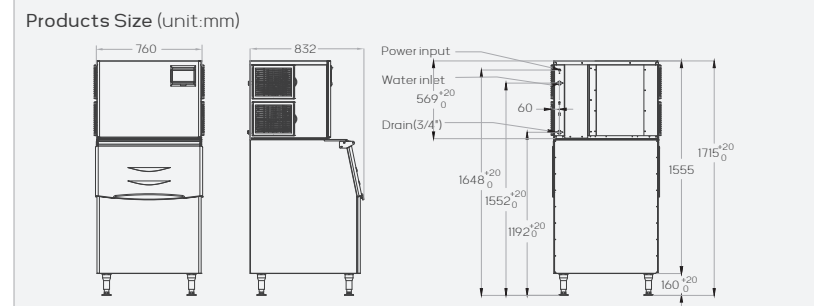
Modular Type - Classic



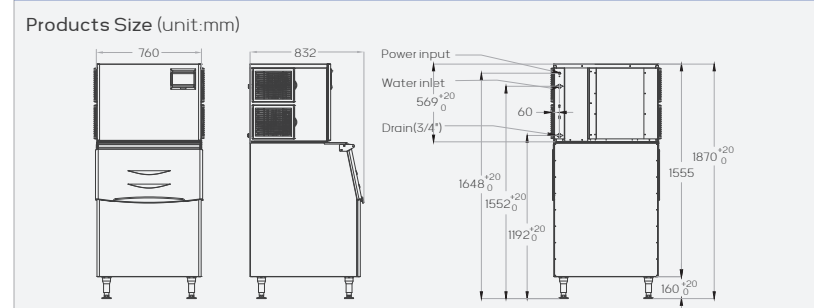
MODEL	XY-350P	XY-420P
Ice Production	160kg / 24h	190kg / 24h
Ice Storage	125 kg	125 kg
Power	765 w	920 w
Gross Weight	94 kg	96 kg
Dimension	560 × 832 × 1715 mm	560 × 832 × 1715 mm



MODEL	XY-500P	XY-700P
Ice Production	225kg / 24h	315kg / 24h
Ice Storage	170 kg	170 kg
Power	1360 w	1680 w
Gross Weight	120 kg	122 kg
Dimension	760 × 832 × 1715 mm	760 × 832 × 1715 mm



MODEL	XY-1000P
Ice Production	455kg / 24h
Ice Storage	170 kg
Power	2400 w
Gross Weight	140 kg
Dimension	760 × 832 × 1890 mm

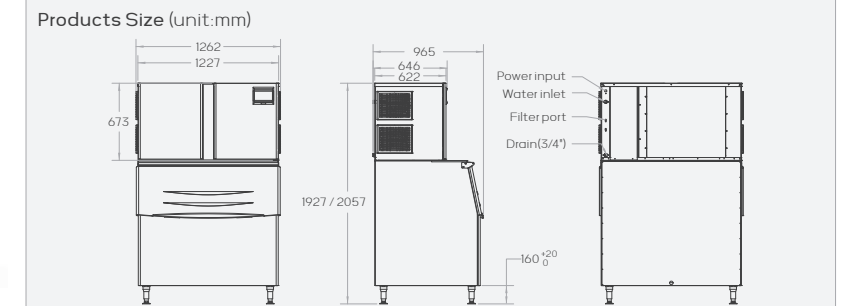


CUBE ICE MACHINE

Modular Type - Classic



MODEL	XY-1500P	XY-2000P
Ice Production	680kg / 24h	900kg / 24h
Ice Storage	350 kg	350 kg
Voltage	220 V / 1P	380 V / 3P
Power	3400 w	4000 w
Gross Weight	220 kg	270 kg
Dimension	1227 × 965 × 1927 mm	1227 × 965 × 2057 mm



Summary table

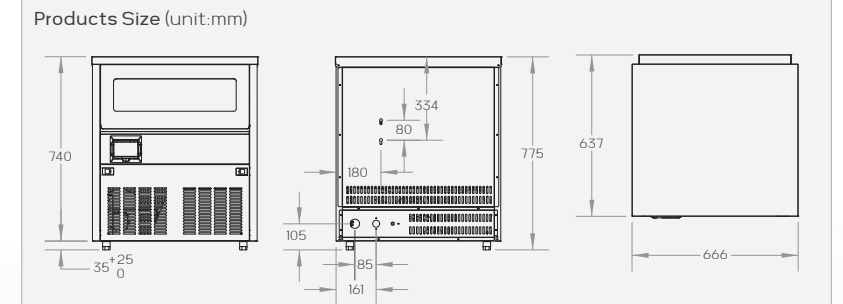
Model	Output 24hrs	Ice Storage	Power	Gross Weight	Net Dimension [Feet Included (W × D × H/mm)]
XY-80P	36 kg / 24 h	15 kg	310 w	40 kg	500 × 450 × 803 mm
XY-80PT	36 kg / 24 h	15 kg	310 w	40 kg	500 × 450 × 840 mm
XY-120P	55 kg / 24 h	18 kg	460 w	50 kg	500 × 590 × 853 mm
XY-120PT	55 kg / 24 h	18 kg	460 w	50 kg	500 × 590 × 890 mm
XY-160P	73 kg / 24 h	36 kg	480 w	65 kg	660.2 × 707 × 919 mm
XY-210P	95 kg / 24 h	36 kg	625 w	66 kg	660.2 × 707 × 919 mm
XY-280P	127 kg / 24 h	36 kg	730 w	67 kg	660.2 × 707 × 919 mm
XY-350P	160 kg / 24 h	125 kg	765 w	94 kg	560 × 832 × 1715 mm
XY-420P	190 kg / 24 h	125 kg	920 w	96 kg	560 × 832 × 1715 mm
XY-500P	225 kg / 24 h	170 kg	1360 w	120 kg	760 × 832 × 1715 mm
XY-700P	315 kg / 24 h	170 kg	1680 w	122 kg	760 × 832 × 1715 mm
XY-1000P	455 kg / 24 h	170 kg	2400 w	140 kg	760 × 832 × 1890 mm
XY-1500P	680 kg / 24 h	350 kg	3400 w	220 kg	1227 × 965 × 1927 mm
XY-2000P	900 kg / 24 h	350 kg	4000 w	270 kg	1227 × 965 × 2057 mm

CUBE ICE MACHINE

Under-Counter Type - Exclusive



MODEL	XY-51B	XY-81B	XY-101B
Ice Production	50kg / 24h	80kg / 24h	100kg / 24h
Ice Storage	30 kg	30 kg	30 kg
Power	465 w	610 w	640 w
Gross Weight	50 kg	65 kg	67 kg
Dimension	666 × 637 × 775 mm	666 × 637 × 775 mm	666 × 637 × 775 mm



Summary table

Model	Output 24hrs	Ice Storage	Power	Gross Weight	Net Dimension [Feet Included (W × D × H/mm)]
XY-51B	50 kg / 24 h	30 kg	465 w	50 kg	666 × 637 × 775 mm
XY-81B	80 kg / 24 h	30 kg	610 w	65 kg	666 × 637 × 775 mm
XY-101B	100 kg / 24 h	30 kg	640 w	67 kg	666 × 637 × 775 mm



ICE DISPENSER

ICE DISPENSER



MODEL	XYHD-130B
Ice Dispenser Capacity	60 kg
Ice Output Speed	5kg / min
Power	210 w
Gross Weight	83kg
Dimension	560 × 855 × 1360 mm
Products Size (unit:mm)	

Advantage

- No touch, more convenient and hygienic for taking ice
- 304 Luxury stainless steel
- Easy to operate and maintain
- Efficient ice dispensing
- Adjustable feet

HD-130B Ice dispenser can also work with SK-350P / 420P machine head, add UV module with high sterilization efficiency.

Summary table

Model	Output Speed	Ice Storage	Power	Gross Weight	Net Dimension [Feet Included (W × D × H/mm)]
XYHD-130B	5 kg / min	60 kg	210 w	83 kg	560 × 855 × 1360 mm

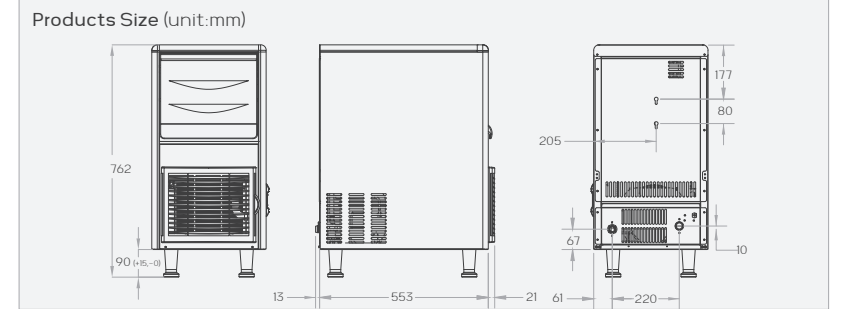
BULLET



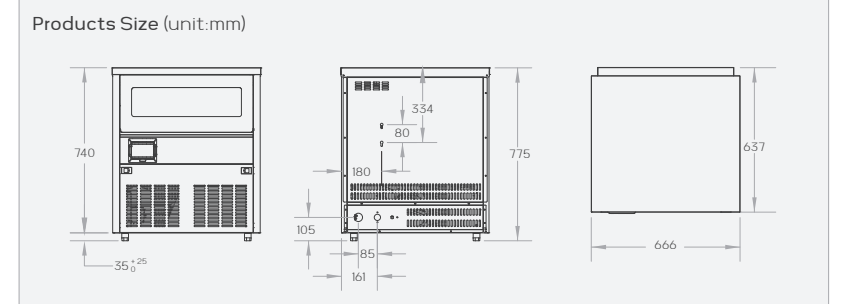
BULLET ICE MACHINE



MODEL	XY-25C	XY-35C
Ice Production	25kg / 24h	35kg / 24h
Ice Storage	15 kg	15 kg
Power	330 w	350 w
Gross Weight	43 kg	43 kg
Dimension	375 × 553 × 762 mm	375 × 553 × 762 mm



MODEL	XY-55C	XY-75C
Ice Production	55kg / 24h	75kg / 24h
Ice Storage	30 kg	30 kg
Power	500 w	670 w
Gross Weight	71 kg	71 kg
Dimension	666 × 637 × 775 mm	666 × 637 × 775 mm



Summary table

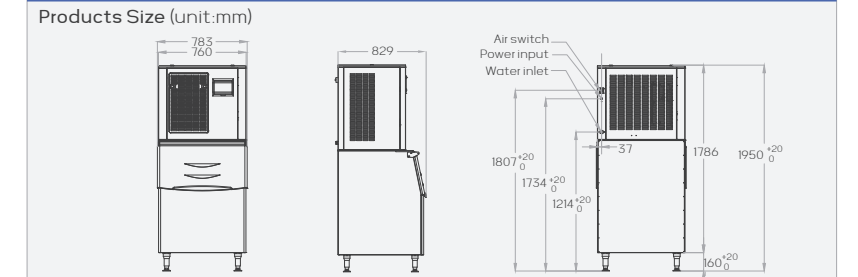
Model	Output 24hrs	Ice Storage	Power	Gross Weight	Net Dimension [Feet Included (W × D × H/mm)]
XY-25C	25 kg / 24h	15 kg	330 w	43 kg	375 × 553 × 762 mm
XY-35C	35 kg / 24h	15 kg	350 w	43 kg	375 × 553 × 762 mm
XY-55C	55 kg / 24h	30 kg	500 w	71 kg	666 × 637 × 775 mm
XY-75C	75 kg / 24h	30 kg	670 w	71 kg	666 × 637 × 775 mm



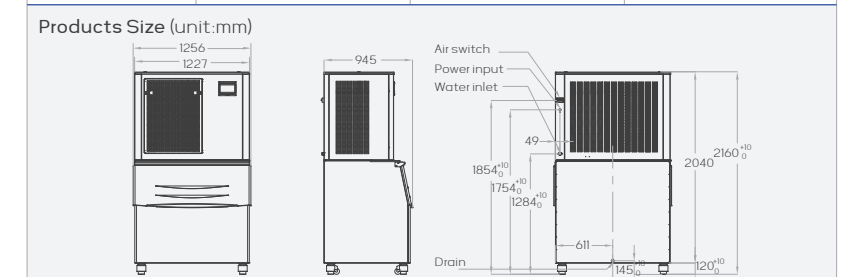
FLAKE ICE MACHINE



MODEL	XY-033	XY-053	XY-083
Ice Production	300kg / 24h	500kg / 24h	800kg / 24h
Ice Storage	170 kg	170 kg	170 kg
Voltage	220 V / 1P	220 V / 1P	220 V / 1P
Power	1650 w	2750 w	3450 w
Gross Weight	180 kg	195 kg	200 kg
Dimension	760 × 829 × 1795 mm	760 × 829 × 1950 mm	760 × 829 × 1950 mm



MODEL	XY-103	XY-123	XY-153
Ice Production	1000kg / 24h	1200kg / 24h	1500kg / 24h
Ice Storage	350 kg	350 kg	350 kg
Voltage	380 V / 3P	380 V / 3P	380 V / 3P
Power	6200 w	6300 w	7400 w
Gross Weight	330 kg	330 kg	350 kg
Dimension	1227 × 945 × 2160 mm	1227 × 945 × 2160 mm	1227 × 945 × 2160 mm



Summary table

Model	Output 24hrs	Ice Storage	Voltage	Power	Gross Weight	Net Dimension [Feet Included (W × D × H/mm)]
XY-033	300 kg / 24h	170 kg	220V 1P	1650 w	180 kg	760 × 829 × 1795 mm
XY-053	500 kg / 24h	170 kg	220V 1P	2750 w	195 kg	760 × 829 × 1950 mm
XY-083	800 kg / 24h	170 kg	220V 1P	3450 w	200 kg	760 × 829 × 1950 mm
XY-103	1000 kg / 24h	350 kg	380V 3P	6200 w	330 kg	1227 × 945 × 2160 mm
XY-123	1200 kg / 24h	350 kg	380V 3P	6300 w	330 kg	1227 × 945 × 2160 mm
XY-153	1500 kg / 24h	350 kg	380V 3P	7400 w	350 kg	1227 × 945 × 2160 mm

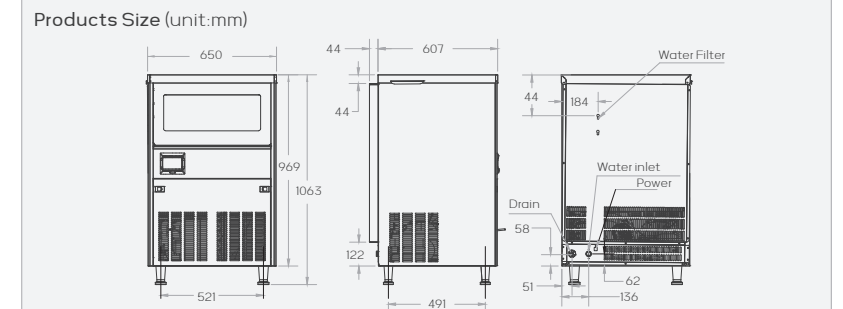
CRESCENT



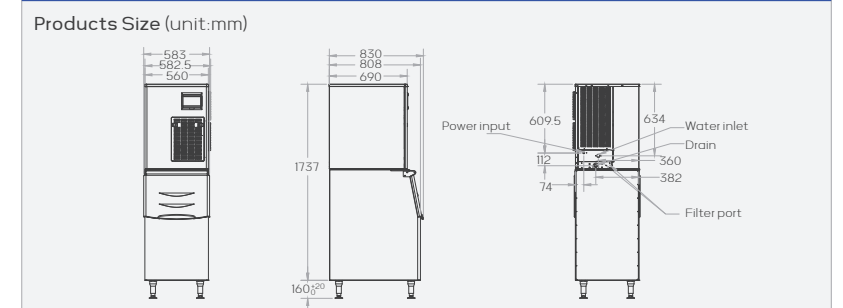
CRESCENT ICE MACHINE



MODEL	XY-220M	XY-280M
Ice Production	95kg / 24h	127kg / 24h
Ice Storage	40 kg	40 kg
Power	770 w	780 w
Gross Weight	70 kg	77 kg
Dimension	650 × 651 × 1063 mm	650 × 651 × 1063 mm



MODEL	XY-320M	XY-620M
Ice Production	145kg / 24h	280kg / 24h
Ice Storage	125 kg	125 kg
Power	850 w	1800 w
Gross Weight	118 kg	131 kg
Dimension	560 × 830 × 1897 mm	560 × 830 × 1897 mm



Summary table

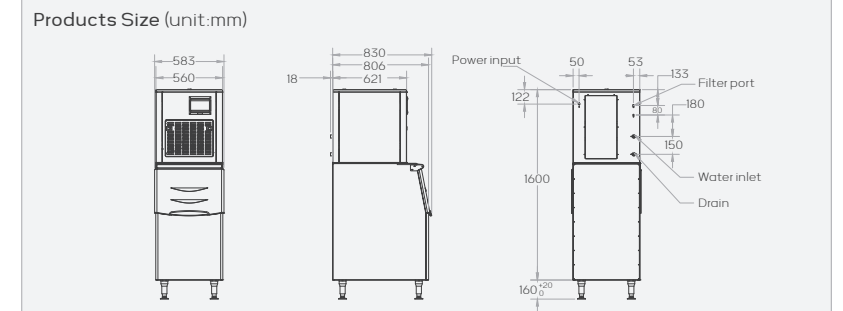
Model	Output 24hrs	Ice Storage	Power	Gross Weight	Net Dimension [Feet Included (W × D × H/mm)]
XY-220M	95 kg / 24h	40 kg	770 w	70 kg	650 × 651 × 1063 mm
XY-280M	127 kg / 24h	40 kg	780 w	77 kg	650 × 651 × 1063 mm
XY-320M	145 kg / 24h	125 kg	850 w	118 kg	560 × 830 × 1897 mm
XY-620M	280 kg / 24h	125 kg	1800 w	131 kg	560 × 830 × 1897 mm



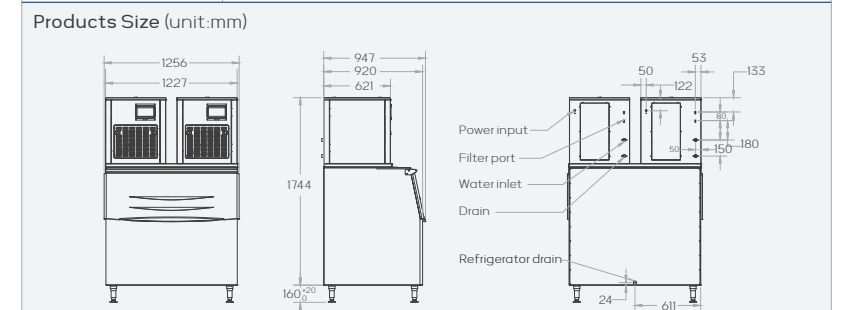
CHEWBLET ICE MACHINE



MODEL	XY-258N
Ice Production	250kg / 24h
Ice Storage	125 kg
Power	1160 w
Gross Weight	140 kg
Dimension	560 × 830 × 1760 mm



MODEL	XY-508N
Ice Production	560kg / 24h
Ice Storage	350 kg
Power	2600 w
Gross Weight	280 kg
Dimension	1227 × 947 × 1904 mm



Summary table

Model	Output 24hrs	Ice Storage	Power	Gross Weight	Net Dimension [Feet Included (W × D × H/mm)]
XY-258N	250 kg / 24h	125 kg	1160 w	140 kg	560 × 830 × 1760 mm
XY-508N	560 kg / 24h	350 kg	2600 w	280 kg	1227 × 947 × 1904 mm